

Specification sheet LX 483

Parapet drainage systems Series 79/88 RAINSTAR[®] as spout

Main drainage

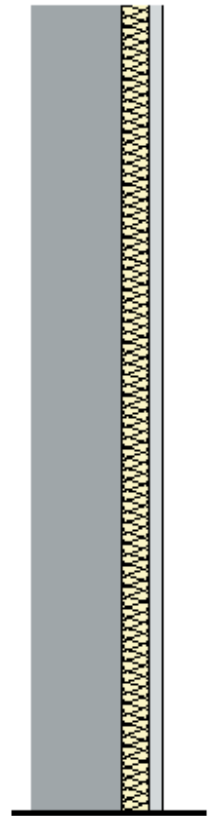
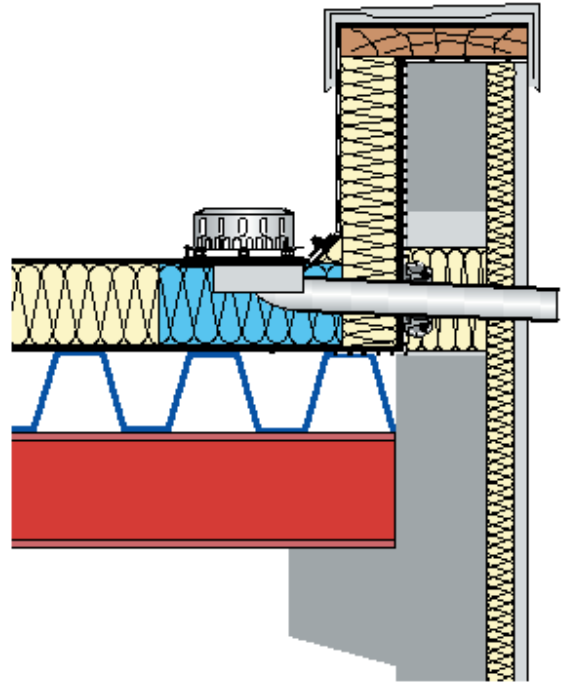
Gravity flow

Silent Power

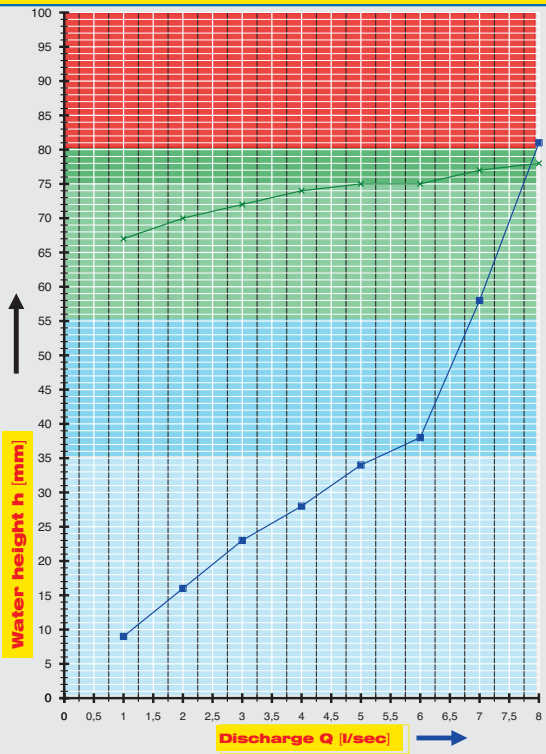
Discharge rate:	5,3 l/sec
Water height:	35 mm
Roof penetration:	106 mm
Diameter:	DN 100
LX-Number:	LX 483
Weir height:	0 mm
Drain:	ventilated
Downpipe:	-
Downpipe height:	0 m
Drainage:	on floor

LX 483 Piece list

- 1 x Art.-No. choose drain on page two!
- 1 x Art.-No. 01384.000X, LORO-Thermal insulation block
- 1 x Art.-No. 15199.100X, LORO-X Spout
- 1 x Art.-No. 13235.100X, LORO-X Sliding flange
- 1 x Art.-No. 00911.100X, LORO-X Sealing element
- 1 x Art.-No. 00986.000X, LORO-X Lubricant

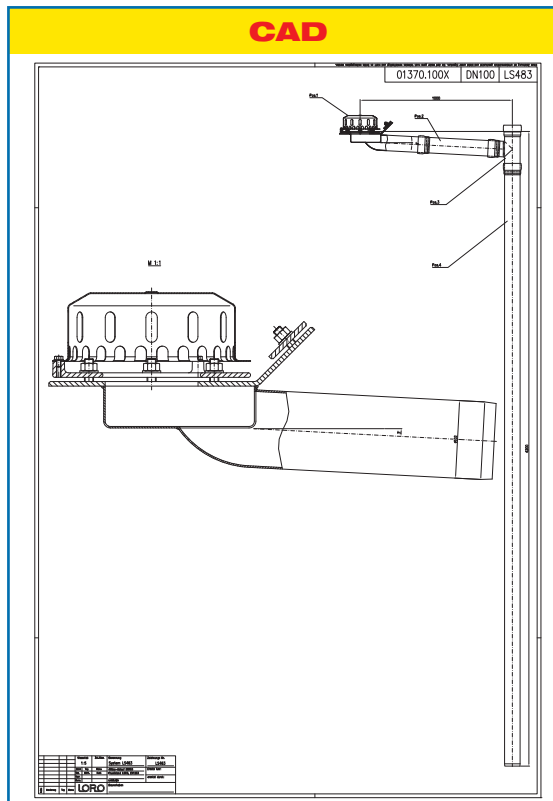


hQ - Head Discharge curve



Systempower

CAD



Systemshape

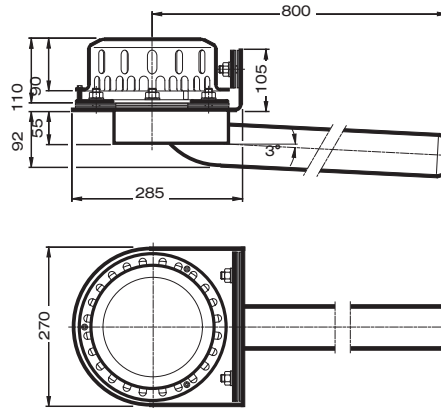
Water height	mm	5	10	15	20	25	30	35	40	45	50	55	60	65	70	75
Discharge	l/sec	-	1,2	1,6	2,6	3,3	4,1	5,3	6,1	6,3	6,6	6,8	7,1	7,3	7,5	7,7
		Silent				Silent Power										

Choose drain for piece list on page one!

LX483-1X

Drain Art.-No. 01372.100X
weight: 6,7 kg

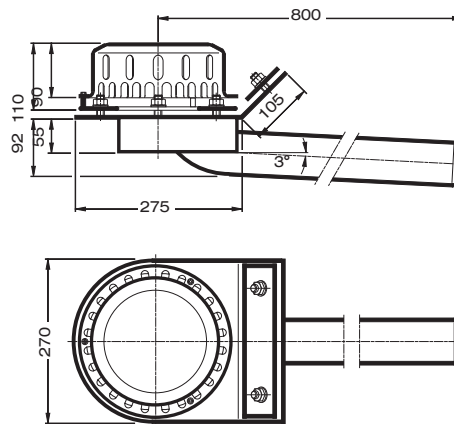
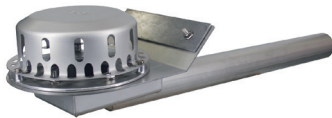
Series 79
clamping flange 90°
for plastic roofing sheets



LX483-2X

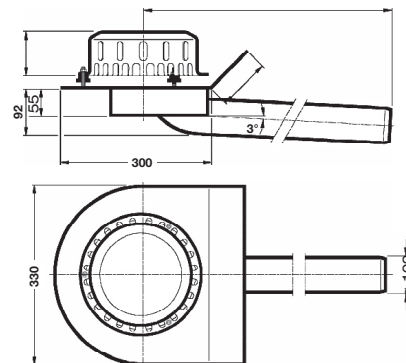
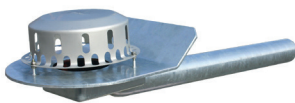
Drain Art.-No. 01370.100X
weight: 6,7 kg

Series 79
clamping flange 45°
for bituminous roofing sheets



Drain Art.-No. 01374.100X
Weight: 7,7 kg

Series 79
bonding flange 45°
for bituminous roofing sheets



LX483-4X

Drain Art.-No. 01390.100X
weight: 4,2 kg

Series 88
bonding flange
for bituminous and plastic roofing sheets

